







**The Radioddy CBL-561 antenna comes with:**

- ① Lower part with built-in PL-259 plug, lower metal rod with extension coil (total mechanical length 44.5 cm / 17.5 in)
- ② Silver extension radial (fixed length of 32 cm / 12.6 inch)
- ③ Top radial with a variable active length between 2.5 cm / 1 inch and 72.5cm / 28.54 inch
- ④ 2mm Allen-key (required to loosen/fasten the fixing part of the top radial)

 <p>44.5cm / 17.5"</p>	 <p>32cm / 12.6"</p>	 <p>74cm / 29.1"</p>	
①	②	③	④

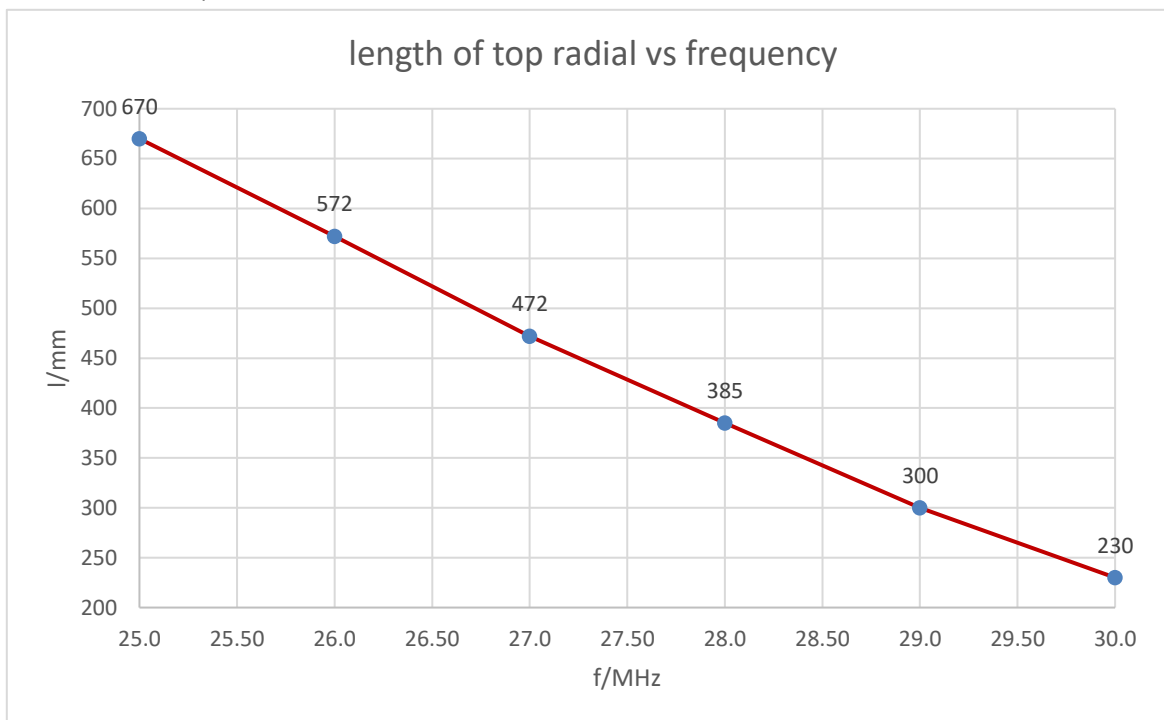
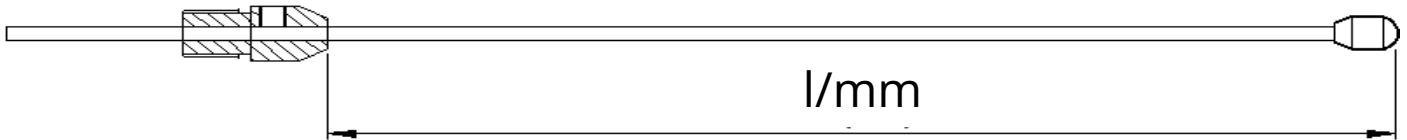
## How to setup the antenna for use of a specific band:

1. Release the grub-screw of the fixing part (just a little turn counterclockwise) to align the length of the top radial.



2. Tighten the grub screw of the fixing part (by turning the grub screw clockwise).

### Required length of the top radial (measured from top of fixing part to top of radial):



f [MHz]	$\lambda$ [m]	Band	top radial length
25	11.992	12m	67,0cm / 26.38" / 2.20ft
26	11.530	12m	57,2cm / 22.52" / 1.88ft
27	11.103	11m	47.2cm / 18.58" / 1.55ft
28	10.707	11m	38.5cm / 15.16" / 1.26ft
29	10.338	10m	30.0cm / 11.81" / 0.98ft
30	9.993	10m	23.0cm / 9.06" / 0.75ft

**Important:** The antenna is to be used either with a magnetic mount that is placed on a car or a similar structure acting as a sufficient counterpoise. It is not intended to be mounted directly onto the radio.